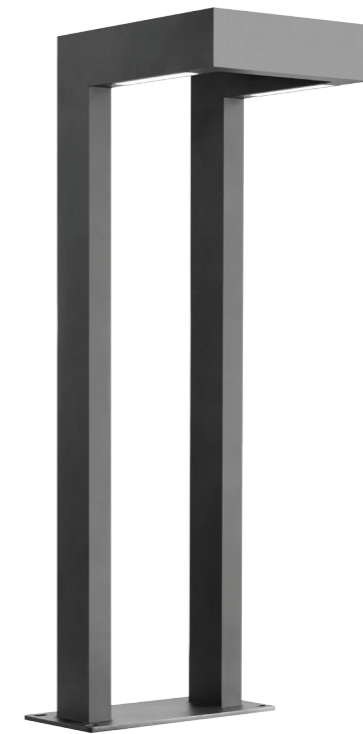


# LENA

AN ARTISTIC BOLLARD



Unique design and optical flexibility of Lena makes it a great choice along with its complementary column Tolena.



# LENA

## TECHNICAL SPECIFICATIONS

### GENERAL HIGHLIGHTS

- Structured with LED light source
- Operating Temperature: -40°C / +55°C
- Exceptional thermal characteristics
- In compliance with EN 60598, EN 62722

### ELECTRICAL PROPERTIES

- Drive current: 350mA
- Optimized PCB Design
- Energy class: A
- Power factor: > 0.90
- Input Voltage: 220V - 240V at 50Hz / 60Hz
- Control type: On/Off

### OPTICAL PROPERTIES

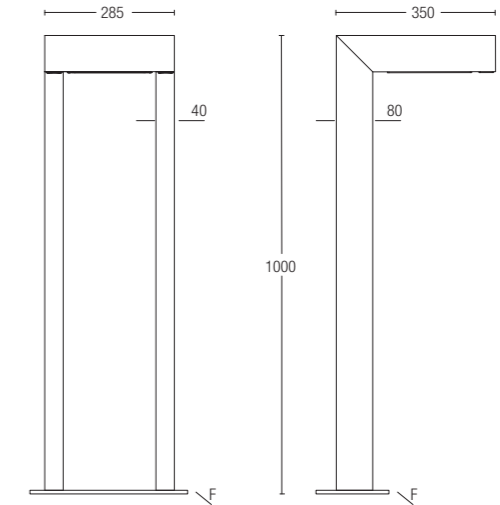
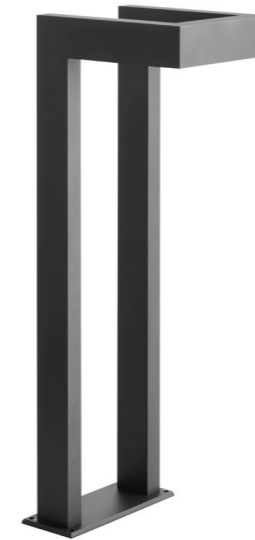
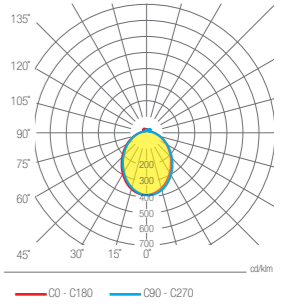
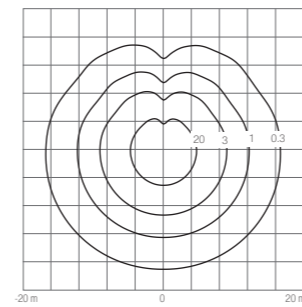
- Equipped with high efficiency LED chips
- Optimized symmetrical lighting distribution
- Glare minimizing diffusor
- No glare with intended use
- High power, undomed LED chips
- Quarter bin LED chips
- MacAdam Elipse 3
- Lumen output (absolute photometry): 850lm - 1000lm
- Color temperature: 3000K, 4000K, 2700K (optional)
- CRI > 70 (4000K), CRI > 80 (3000K)
- Lumen depreciation: L90B50 > 103000h
- Photobiological safety: Risk Group 1
- ULOR: 0

### BODY HOUSING & FINISH

- Corrosion resistant aluminum housing
- Electrostatic powder coating
- HM1 to HM6 standard colors with optional RAL codes
- Ingress protection: IP65
- Impact protection: IK05

### EXTRAS

- Higher power and lumen output (45W, 2800lm)
- Higher CRI LED chips
- Marine grade coating



LUMINAIRE					
CODE	DESCRIPTION	POWER (350 mA)	LUMEN	COLOR TEMPERATURE	ANCHORAGE
LB6049.563	Lena	15W	850lm - 1000lm	3000K / 4000K	626J014